

# Yealink



## All-in-one Video Collaboration Bar MeetingBar A20



English | 简体中文 | Deutsch | Français | Español

**Quick Start Guide (V1.2)**

# Table of Contents

English.....	1
简体中文 .....	6
Deutsch.....	11
Français.....	16
Español.....	21

# Package Contents

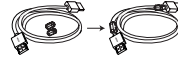
## • Standard accessories



MeetingBar A20



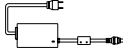
3m Ethernet Cable



1.8m HDMI Cable x2  
(for the display device)



Cable Ties x5



Power Adapter



Mounting Bracket  
and Accessories

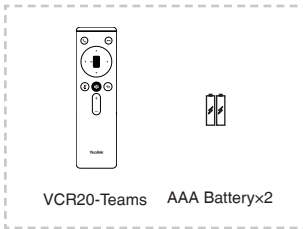


Silicone Pad x2



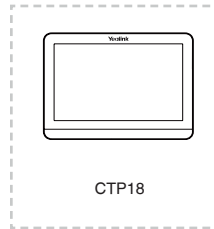
Quick Start Guide

## • Optional accessories



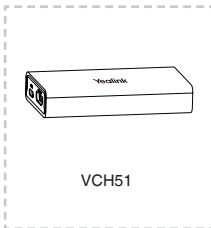
VCR20-Teams AAA Battery x2

Remote Control Package  
(Only Teams edition)



CTP18

Touch Panel Package



VCH51

VCH51 Sharing Kit



WPP20

Wireless Presentation Pod

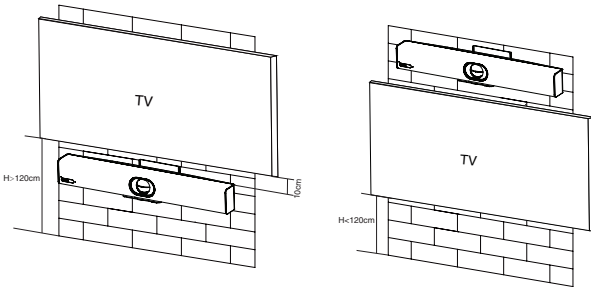
### Note:

- We recommend that you use the accessories provided or approved by Yealink. The unapproved third-party accessories may result in reduced performance.
- Use the Yealink original adapter (48V/0.7A) to charge the endpoint only. The use of the third-party adapter may cause the damage to the endpoint.
- Put the magnet rings on the HDMI cable to prevent electromagnetic interference.

# Endpoint Installation

- Mount on a Wall

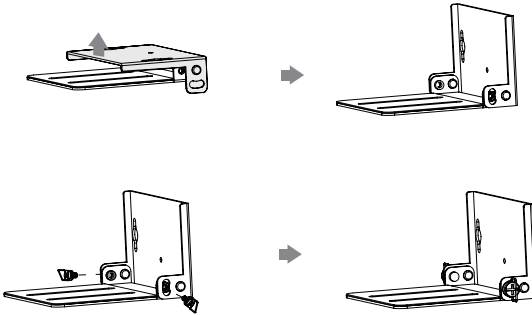
## A20 position



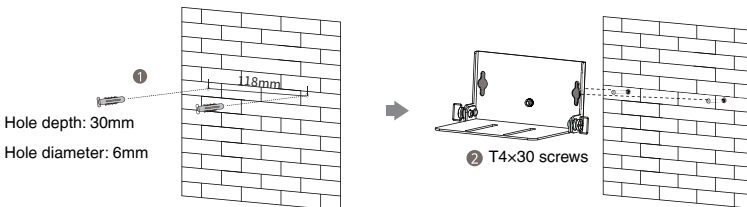
## Wall Mounting

Use the bracket to mount your endpoint on a wall. The mounting height affects your camera view. The recommended height is 1.1m above the ground.

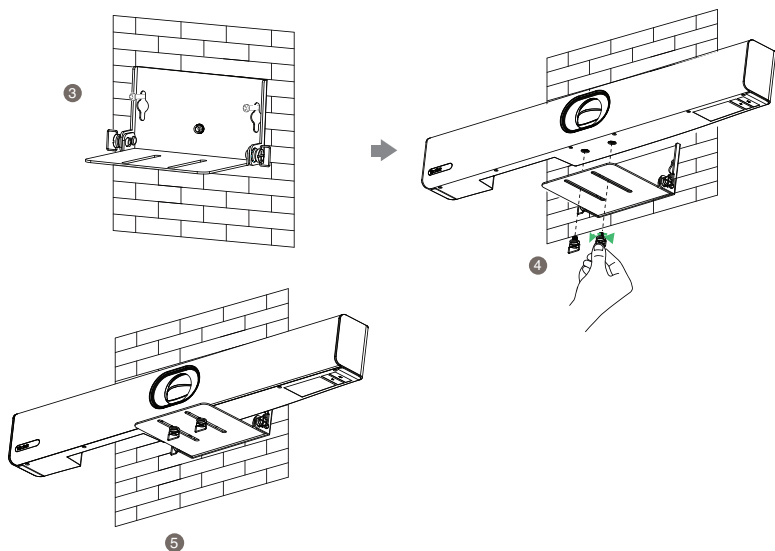
### Step1: Assemble the mounting bracket



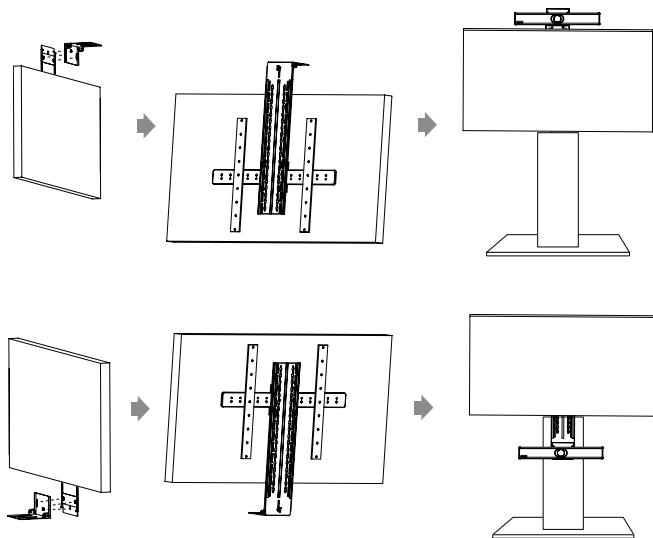
### Step2: Mount the A20 to the wall





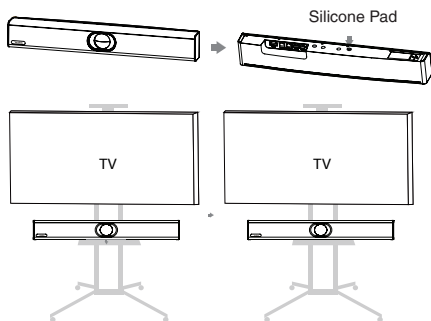


• Using Yealink TV Mount Bracket

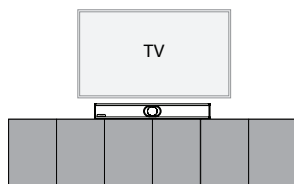


Note: The TV stand should be purchased separately.

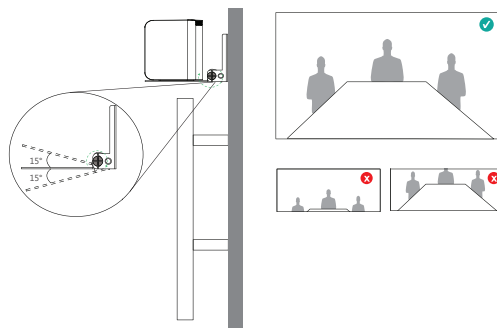
- Put on a TV stand cart platform



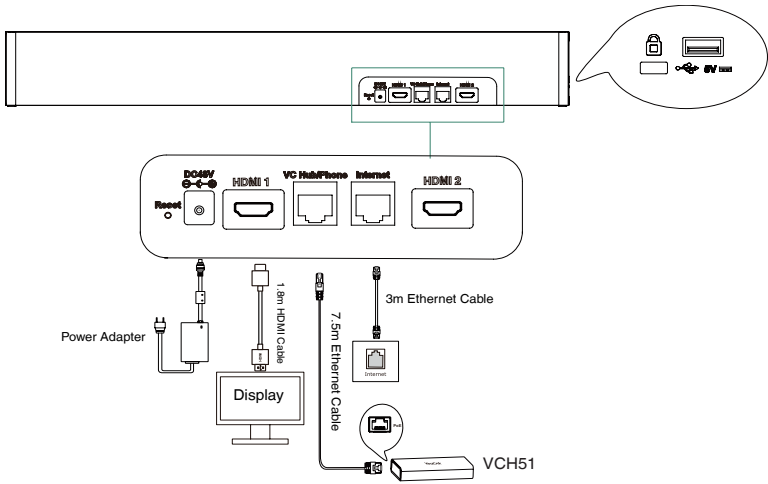
- Put on a desk



## Adjusting the Camera Tilt



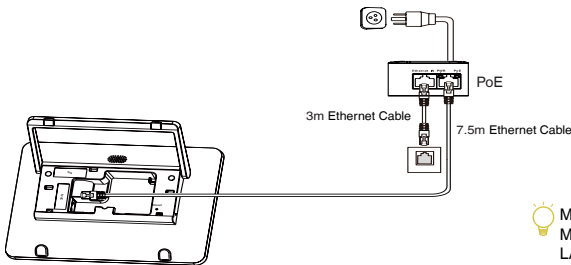
# Endpoint Connections



**Note:**

- If you only need to use one display, please connect to HDMI 1 port.
- If you connect a touch display device, you can operate the A20 either by remote control or touch control.
- If you connect a non-touch display device, you can use the remote control, mouse or CTP18.
- Please use the mouse when you sign in to the Teams version if you have no remote control.

# CTP18 Connection



**⚡** Make sure that CTP18 and the MeetingBar A20 are in the same LAN.

**Pair the CTP18 with A20-Teams:**

Sign into the same Microsoft account on both CTP18 and the endpoint, then enter the PIN code according to the on-screen prompts, after that the system will be automatically paired with the CTP18.

**Pair the CTP18 with A20-Zoom:**

Enter the IP Address of the A20 in CTP18, then the system will be automatically paired with the CTP18.

## 包装清单

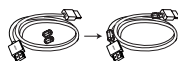
### · 标准配件



MeetingBar A20



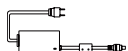
3米网线



1.8米HDMI线 ×2  
(用于接显示设备)



束线带 ×5



电源适配器



支架配件  
(用于安装主机)

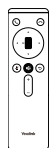


硅胶垫 ×2



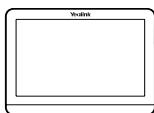
快速入门指南

### · 可选配件



VCR20-Teams 遥控器  
7号电池 ×2

遥控器 (只适配 Teams)



CTP18

触控平板



VCH51

有线投屏套件



WPP20

无线传屏器

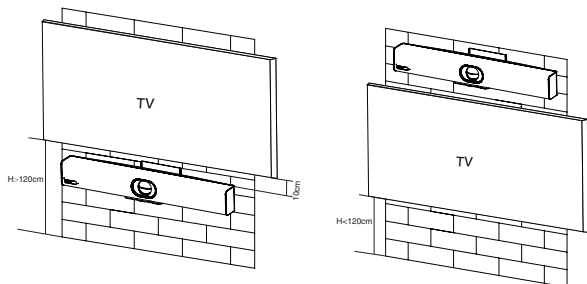
#### 说明:

- 此为 A 级产品。在生活环境中，该产品可能会造成无线电干扰。在这种情况下，可能需要用户对干扰采取切实可行的措施。
- 我们推荐使用由亿联提供或经亿联认可的配件和线缆，使用未经认可的第三方配件和线缆可能会导致性能的下降。
- 使用 HDMI 线前，请套上磁环用于抗电磁干扰。

## 安装终端

### · 墙装

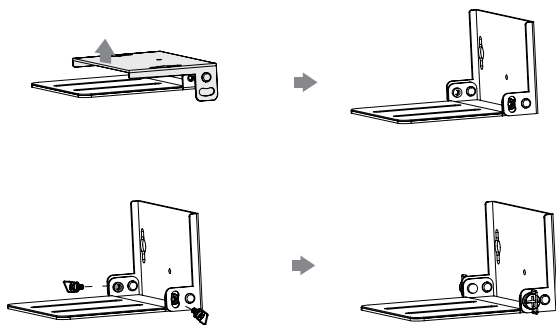
#### A20 位置



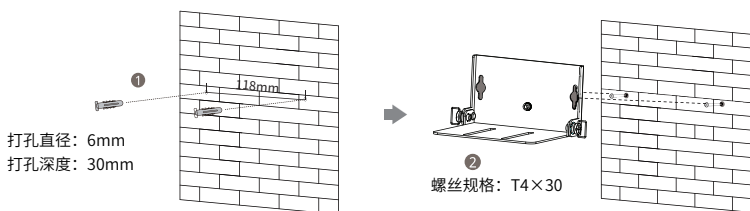
#### 墙装

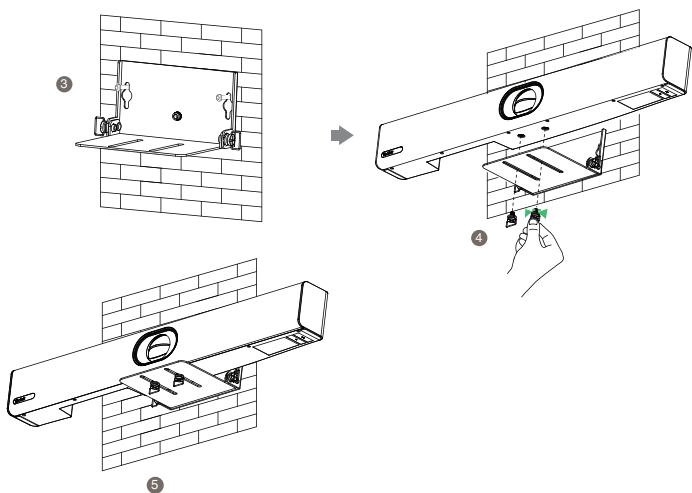
使用支架将终端安装在墙上。安装高度会影响摄像机的视野，建议终端安装的高度为离地面 1.1m。

#### 步骤 1：安装支架

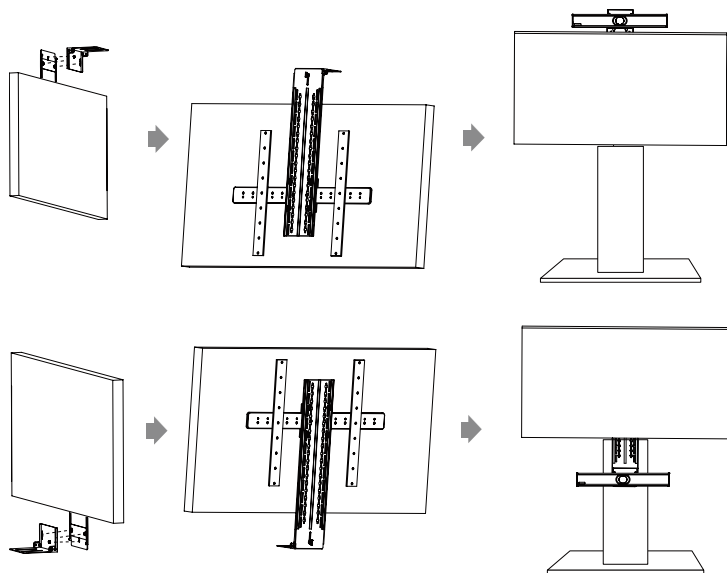


#### 步骤 2：墙装



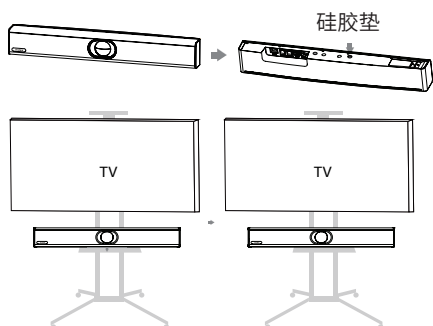


· 使用亿联专用电视挂架

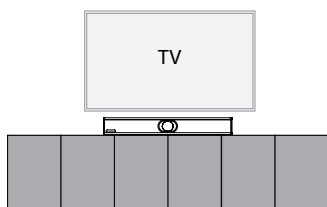


说明：电视架需单独购买。

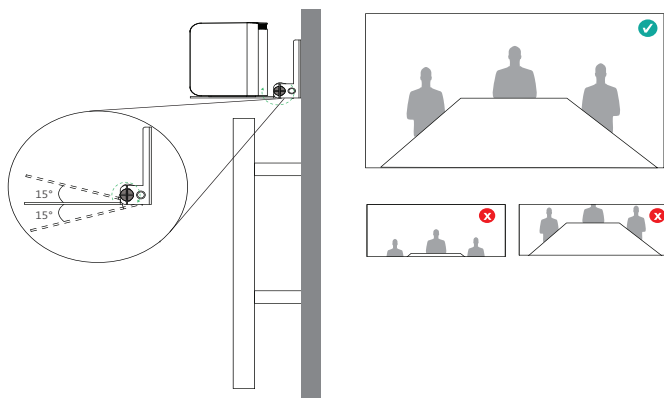
· 置于电视推车



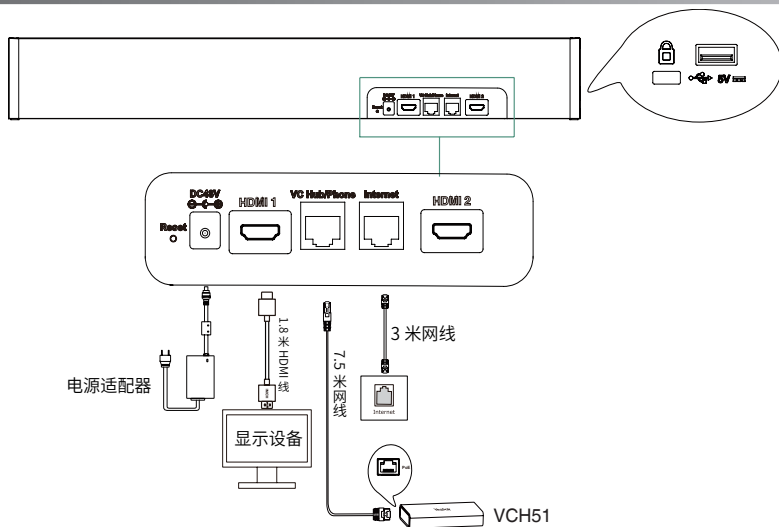
· 置于桌面



## 调整倾斜角度



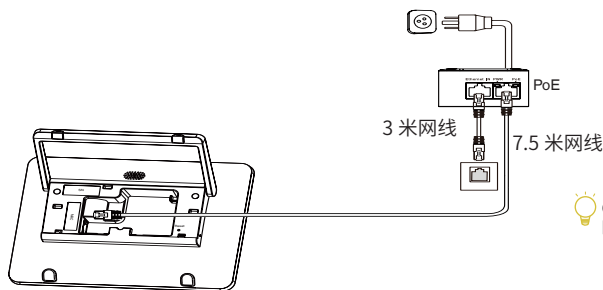
## 连接终端



说明:

- 如果你只连接一个显示器，我们推荐优先使用 HDMI 1 口。
- 如果你连接的是触控式显示设备，你可以使用遥控器或者触摸屏操作终端。
- 如果你连接的是非触控式显示设备，你可以使用遥控器，鼠标或 CTP18 操作终端。
- 如果你没有配备遥控器，请使用鼠标操作设备（Teams 版本）。

## 连接 CTP18



💡 CTP18 与 MeetingBar A20 需在  
同一局域网内。

### CTP18 与 A20-Teams 配对:

终端和 CTP18 登录相同的微软账号，根据终端显示器的界面提示内容，在 CTP18 上输入相应配对码后，系统将自动与终端进行配对。

### CTP18 与 A20-Zoom 配对:

在 CTP18 的登录界面，输入终端的 IP 地址，系统将自动与终端进行配对。



# Verpackungsinhalt

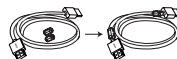
## • Standardzubehör



MeetingBar A20



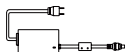
3M Ethernet-Kabel



1,8m HDMI-Kabel x 2  
(für das Anzeigerät)



Kabelbinder x 5



Netzgerät



Wandhalterung und Zubehör

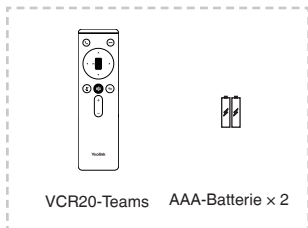


Silikonpad x 2



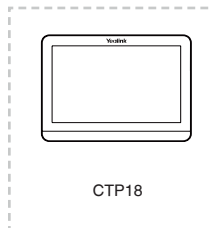
Kurzanleitung

## • Optionales Zubehör



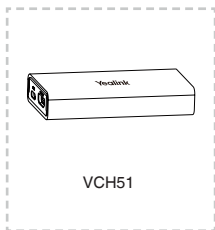
VCR20-Teams AAA-Batterie x 2

Fernbedienungspaket  
(Nur Teams-Edition)



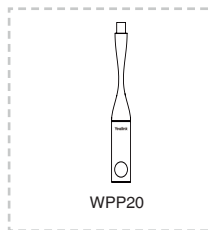
CTP18

Touchpanel-Paket



VCH51

VCH51 Freigabe-Set



WPP20

Adapter für drahtlose Präsentationen

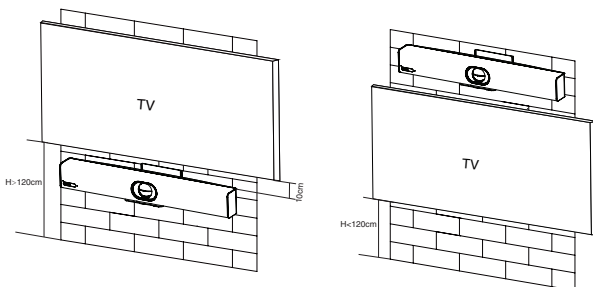
### Hinweis:

- Wir empfehlen die Verwendung von Zubehör, das von Yealink entweder geliefert oder empfohlen wird. Der Gebrauch von Drittanbietern bereitgestellten Zubehörs, das von Yealink nicht freigegeben wurde, kann zu einer verminderten Leistungsfähigkeit führen.
- Verwenden Sie ausschließlich das Originalnetzteil von Yealink (48 V/0,7 A) zum Laden des Endpunkts. Die Verwendung eines Netzteils von einem Drittanbieter kann zur Beschädigung des Endpunkts führen.
- Setzen Sie die Magnetringe auf das HDMI-Kabel, um elektromagnetische Störungen zu vermeiden.

# Endpunkt-Installation

- Wandmontage

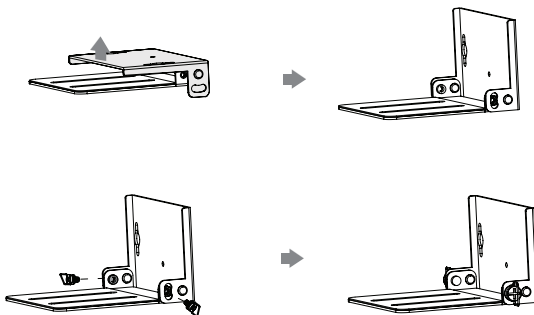
## A20-Position



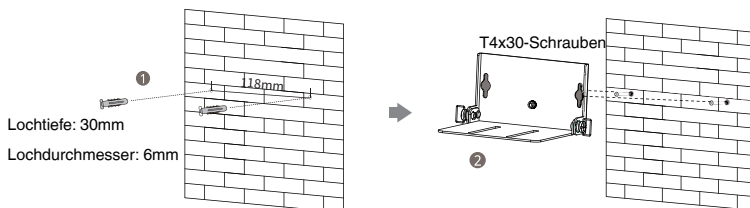
## Wandmontage

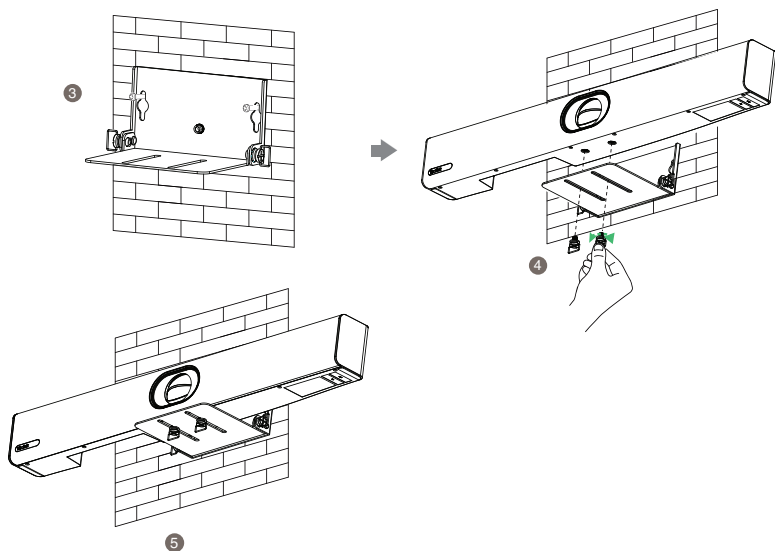
Verwenden Sie die Halterung, um Ihren Endpunkt an einer Wand zu montieren. Die Montagehöhe beeinflusst die Ansicht Ihrer Kamera. Es wird eine Höhe von 1,1 m über dem Boden empfohlen.

### Schritt 1: Setzen Sie die Montagehalterung zusammen

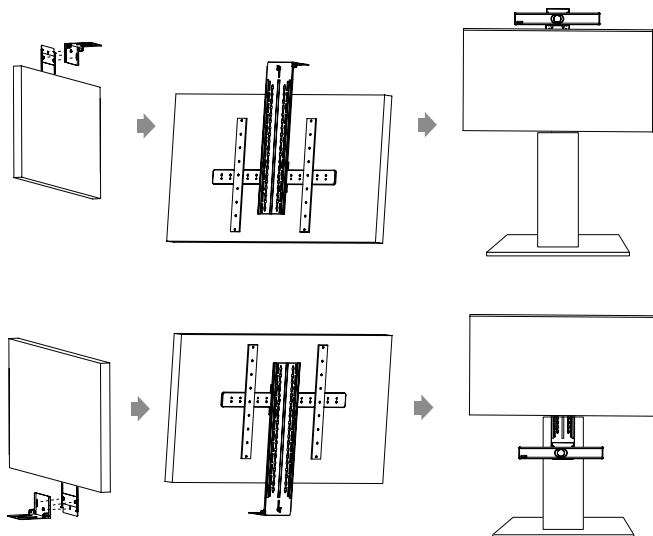


### Schritt 2: Montieren Sie das A20 an der Wand



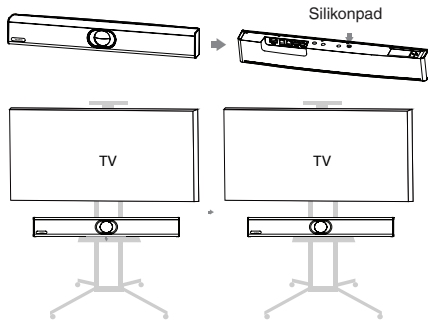


• mit der Yealink TV-Montagehalterung

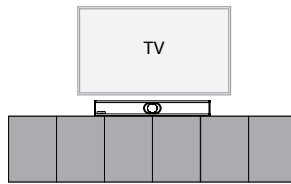


Hinweis: Der TV-Ständer sollte separat erworben werden.

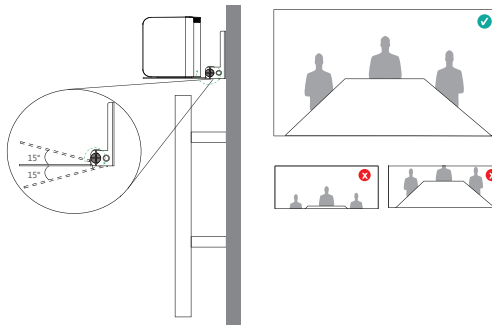
- Auf eine Wagenplattform für einen TV-Ständer stellen



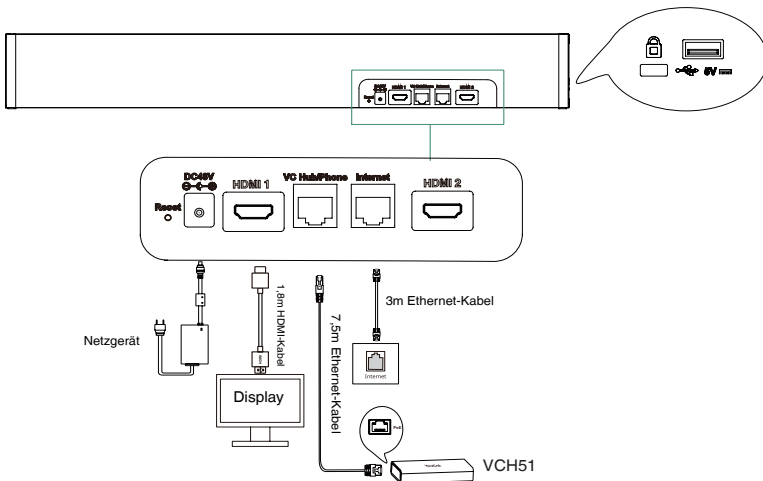
- Auf einen Schreibtisch stellen



## Einstellen der Kameraneigung



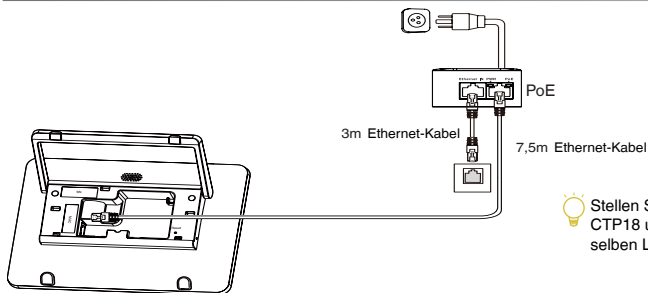
## Endpunktverbindungen



### Hinweis:

- Wenn Sie nur ein Display verwenden müssen, schließen Sie es an den HDMI 1-Anschluss an.
- Wenn Sie ein Touch-Display-Gerät anschließen, können Sie das A20 entweder per Fernbedienung oder per Touch-Control bedienen.
- Wenn Sie ein Display-Gerät ohne Touch-Funktion anschließen, können Sie die Fernbedienung, Maus oder CTP18 verwenden.
- Bitte benutzen Sie die Maus, wenn Sie sich bei der Team-Version anmelden, wenn Sie keine Fernbedienung haben.

## Verbinden des CTP18



💡 Stellen Sie sicher, dass sich CTP18 und MeetingBar A20 im selben LAN befinden.

### Das CTP18 mit A20-Teams koppeln:

Melden Sie sich sowohl auf dem CTP18 als auch auf dem Endpunkt bei demselben Microsoft-Konto an und geben dann den PIN-Code laut den Bildschirmanweisungen ein. Danach wird das System automatisch mit dem CTP18 gekoppelt.

### Das CTP18 mit A20-Zoom koppeln:

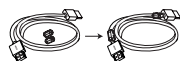
Geben Sie die IP-Adresse des A20 in CTP18 ein, dann wird das System automatisch mit dem CTP18 gekoppelt.

## Contenu de la boîte

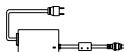
### • Accessoires standard



MeetingBar A20

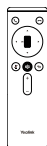
Câble Ethernet  
3 mCâble HDMI 1,8 m x 2  
(pour le périphérique d'affichage)

Serre-câbles x5

Adaptateur  
d'alimentationSupport mural et  
accessoiresSupport en  
silicone x2

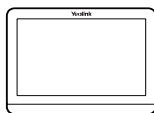
Guide de démarrage rapide

### • Accessoires en option



VCR20-Teams Pile AAA x2

Pack de contrôle à distance  
(édition Teams uniquement)



CTP18

Pack écran tactile



VCH51

Kit de partage VCH51



WPP20

Pod de présentation sans fil

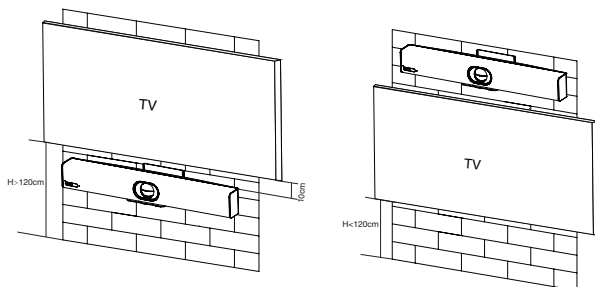
#### Remarque :

- Nous vous recommandons d'utiliser les accessoires fournis et approuvés par Yealink. L'utilisation d'accessoires tiers non approuvés peut engendrer une perte de capacité des produits.
- Utilisez seulement l'adaptateur secteur Yealink d'origine (48 V/0,7 A) pour charger le point de terminaison. L'utilisation d'un adaptateur tiers peut provoquer des dommages au point de terminaison.
- Mettez les anneaux magnétiques sur le câble HDMI pour éviter les interférences électromagnétiques.

## Installation du point de terminaison

### • Montage mural

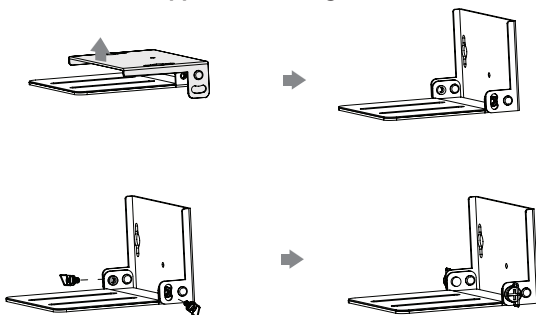
#### Position A20



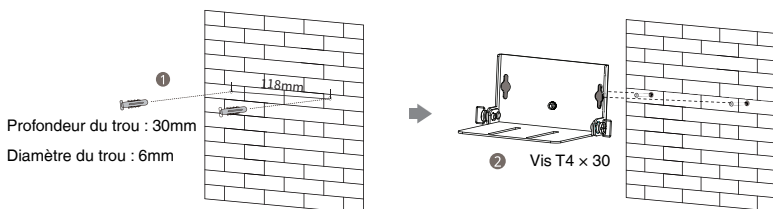
#### Support mural

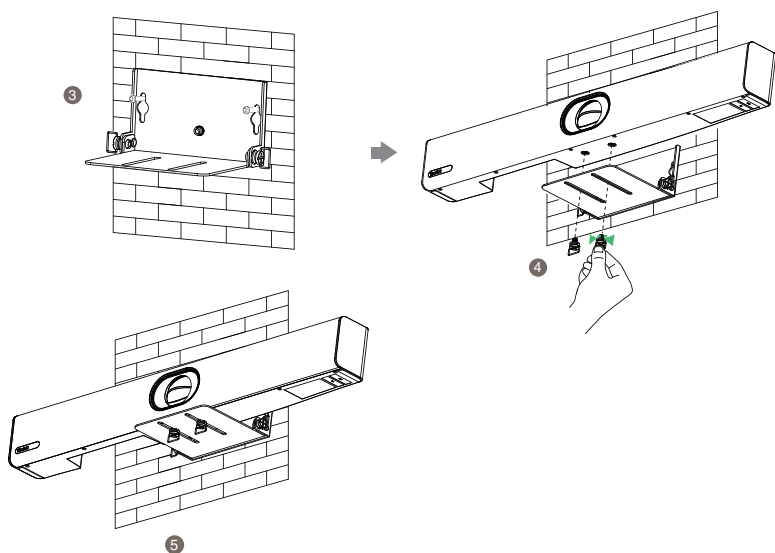
Utilisez le support pour fixer votre point de terminaison sur un mur. La hauteur de montage modifie la vue de la caméra. La hauteur recommandée est de 1,1 m au-dessus du sol.

#### Étape 1 : Assembler le support de montage

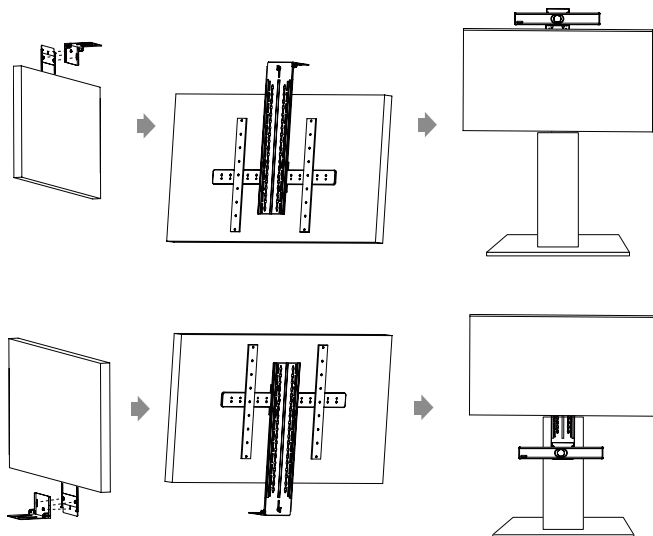


#### Étape 2 : Fixer l'A20 sur le mur





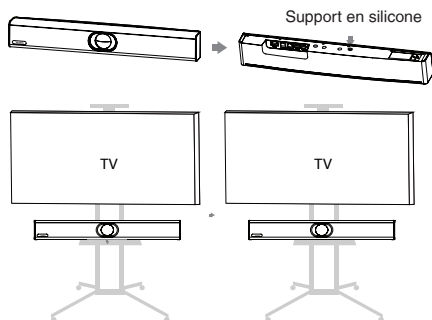
- Utiliser le support de montage Yealink TV



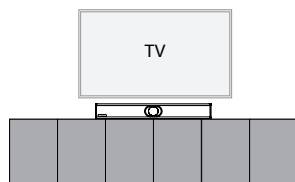
Remarque : Le support TV doit être acheté séparément.



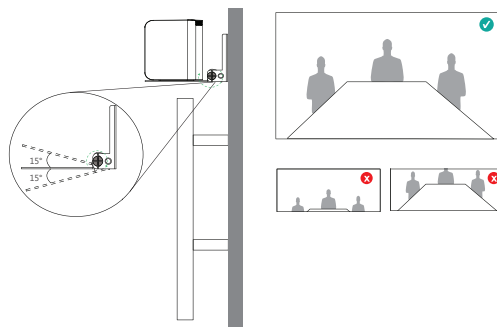
- Installation sur une plate-forme de support TV



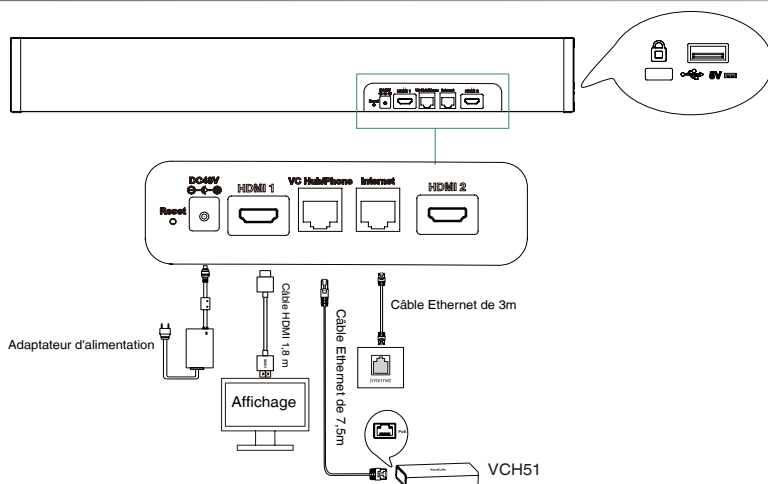
- Installation sur un bureau



## Réglage de l'inclinaison de la caméra



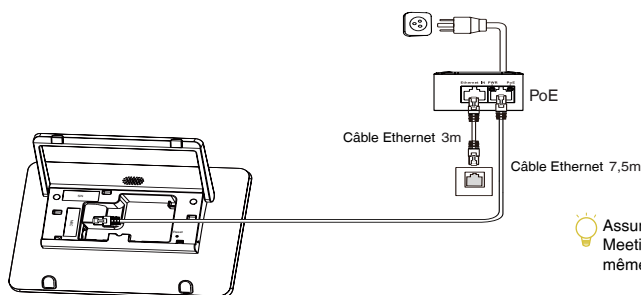
## Connexions de point de terminaison



### Remarque :

- Si vous n'utilisez qu'un seul écran, veuillez vous connecter au port HDMI 1.
- Si vous connectez un périphérique d'affichage tactile, vous pouvez utiliser le A20 soit par télécommande soit par commande tactile.
- Si vous connectez un périphérique d'affichage non tactile, vous pouvez utiliser la télécommande, la souris ou le CTP18.
- Veuillez utiliser la souris lorsque vous vous connectez à la version Teams si vous n'avez pas de télécommande.

## Connexion CTP18



💡 Assurez-vous que CTP18 et le MeetingBar A20 sont dans le même LAN.

### Appairer le CTP18 avec Teams A20:

Connectez-vous avec le même compte Microsoft sur le point de terminaison et le CTP18, puis entrez le code PIN en suivant les invites à l'écran. Le système exécutera alors automatiquement l'appariement avec le CTP18.

### Appairer le CTP18 avec Zoom A20:

Entrez l'adresse IP de l'A20 dans CTP18, le système exécutera alors automatiquement l'appariement avec le CTP18.

## Contenido de la caja

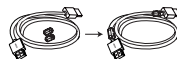
### • Accesorios estandar



MeetingBar A20



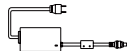
3m Cable Ethernet



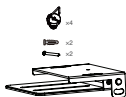
Cable HDMI de 1,8 m x 2  
(para el dispositivo de visualización)



Sujetacables x 5



Adaptador eléctrico



Soporte de pared y  
accesorios

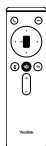


Almohadilla de  
silicona x 2



Guía de inicio rápido

### • Accesorios Opcionales

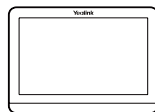


VCR20-Teams



Batería AAA x 2

Paquete de control remoto(Solo edición Teams)



CTP18

Paquete de panel táctil



VCH51

Kit para compartir VCH51



WPP20

Pod de presentación inalámbrica

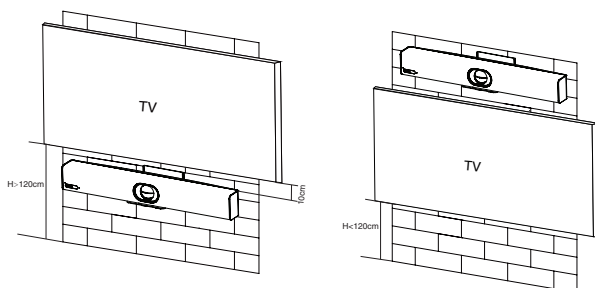
#### Nota:

- Utilice siempre accesorios proporcionados o aprobados por Yealink. El uso de accesorios no homologados puede causar un mal funcionamiento del equipo.
- Use únicamente el adaptador de corriente original Yealink (48V / 0.7A) para cargar el equipo. El uso de alimentadores de terceros puede causar daños irreparables en el equipo.
- Coloque los anillos magnéticos en el cable HDMI para evitar las interferencias electromagnéticas.

## Instalación del Endpoint

### • Montaje en pared

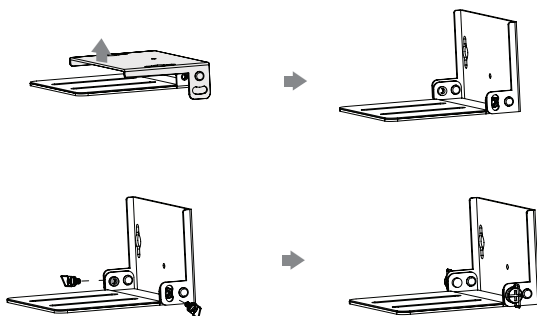
#### Posición A20



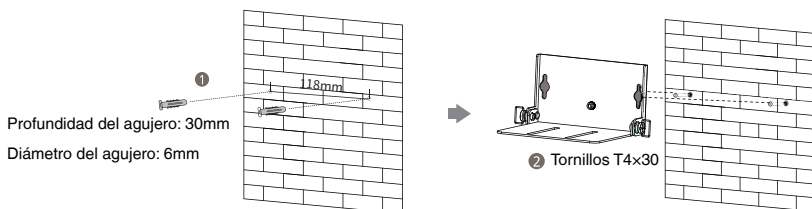
### Montaje en pared

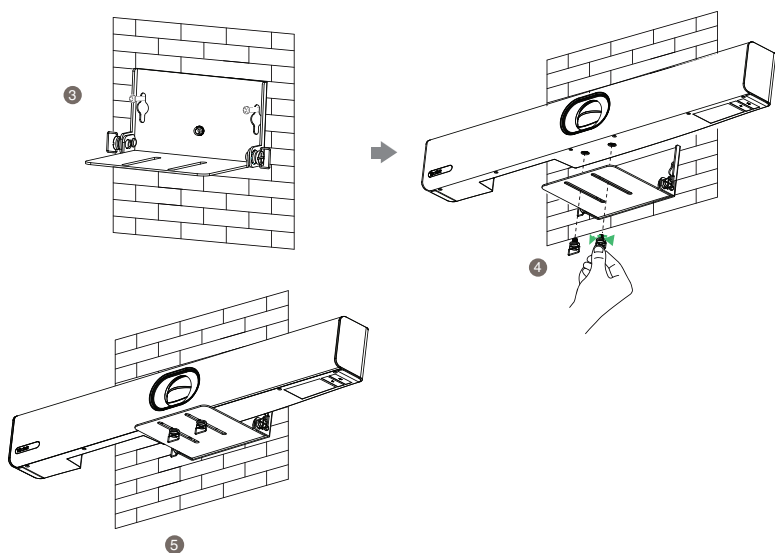
Utilice el soporte para montar su terminal en una pared. La altura de montaje afecta la vista de la cámara. La altura recomendada es de 1,1 m sobre el suelo.

#### Paso 1: ensamble el soporte de montaje

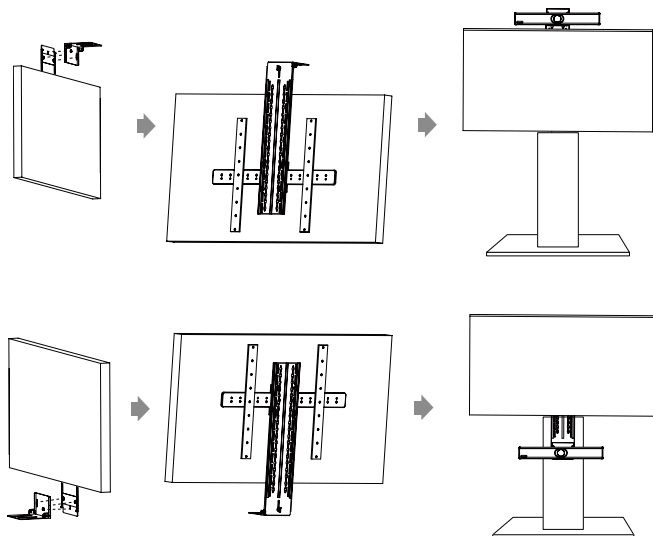


#### Paso 2: monte el A20 en la pared



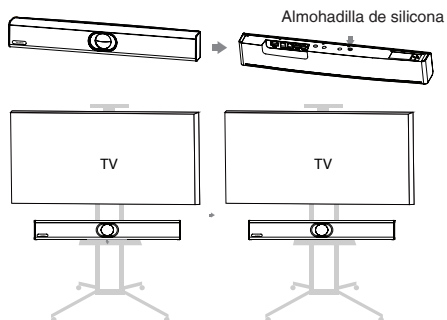


- Uso del soporte de montaje para TV Yealink

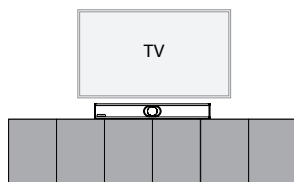


Nota: El soporte del televisor debe comprarse por separado.

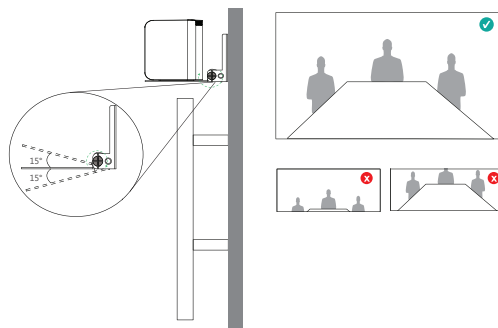
- Coloque la plataforma en el soporte de TV



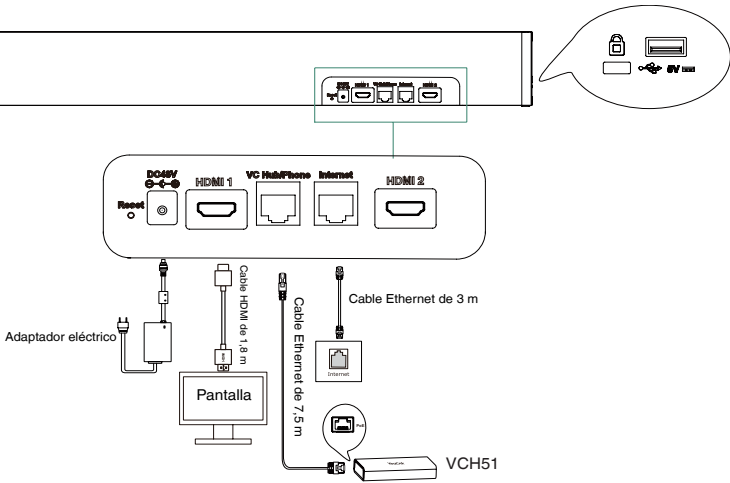
- Coloquelo sobre escritorio



## Ajuste de la inclinación de la cámara



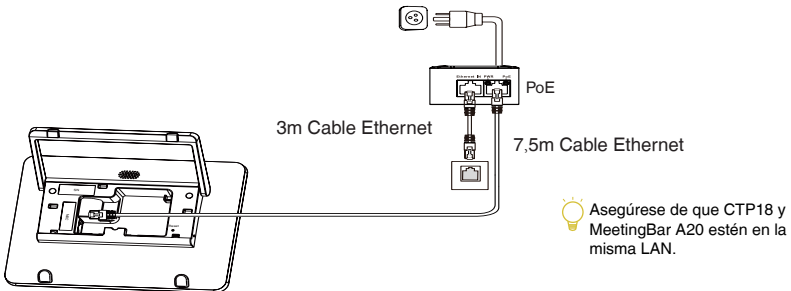
## Conexiones del Endpoint



**Nota:**

- Si solo necesita usar una pantalla, conéctela al puerto HDMI 1.
- Si conecta una pantalla táctil, puede operar el A20 mediante control remoto o control táctil.
- Si conecta un dispositivo de pantalla no táctil, puede usar el control remoto, el ratón o CTP18.
- Por favor utilice el ratón cuando inicie sesión en versión Teams si usted no tiene control remoto.

## Conexión CTP18



### Empareje el CTP18 con A20-Teams:

Inicie sesión con la misma cuenta de Microsoft tanto en CTP18 como en el endpoint, introduzca el código PIN de acuerdo con las indicaciones en pantalla y el sistema se emparejará automáticamente con el CTP18 .

### Empareje el CTP18 con A20-Zoom:

Ingrese la dirección IP del A20 en CTP18, y el sistema se emparejará automáticamente con el CTP18.



## Declaration of Conformity

We,

YEALINK(XIAMEN) NETWORK TECHNOLOGY CO.,LTD

Address: 309, 3rd Floor, No.16, Yun Ding North Road,  
Huli District, Xiamen City, Fujian, P.R. C

Manufacturer: YEALINK(XIAMEN) NETWORK TECHNOLOGY CO.,LTD

Address: 309, 3rd Floor, No.16, Yun Ding North Road,  
Huli District, Xiamen City, Fujian, P.R. C

DATE: 30<sup>th</sup> /February/2021

declare that the product

**Type: Video Conferencing Endpoint**

**Model:MeetingBar A20**

meets the essential requirements and other relevant provisions according to the following EC directive

**Directive: 2014/30/EU, 2014/35/EU,RED 2014/53/EU**

**Conformity**

The product complies with the following standards:

Safety : **EN 62368-1:2014+A11:2017**

EMC:: **EN 55032:2015**

**EN 55035:2017**

**EN61000-3-2: 2014**

**EN61000-3-3: 2013**

**Radio:ETSI EN 301 489-1 V2.2.3,**

**ETSI EN 301 489-3 V2.1.1,**

**ETSI EN 301 489-17 V3.2.2,**

**ETSI EN 300 328 V2.2.3;**

**ETSI EN 301 893 V2.1.1**

**EN 300 440 V2.2.1**

**Health :EN 62311:2008; EN62479:2010**

**Directive 2011/65/EU and (EU)2015/863** of the European Parliament and of the Council of 8 June 2011 and 4 June 2015 on the restriction of the use of certain hazardous substances in electrical and electronic equipment(RoHS 2.0)

**Directive 2012/19/EU** of the European Parliament and of the Council of 4.July.2012 on Waste electrical and electronic equipment(WEEE)

**Regulation (EC) No.1907/2006** of the European Parliament and of the Council of 18.December.2006 on Registration, Evaluation, Authorization, and Restriction of Chemicals (REACH)

NAME: Stone Lu

DATE: 30<sup>th</sup> /February/2021

TITLE: Vice President





## Regulatory Notices

### Operating Ambient Temperatures

- Operating temperature: +32 to 104°F (0 to 40°C)
- Relative humidity: 5% to 90%, noncondensing
- Storage temperature: -22 to +160°F (-30 to 170°C)

### Warranty

Our product warranty is limited only to the unit itself, when used normally in accordance with the operating instructions and the system environment. We are not liable for damage or loss resulting from the use of this product, or for any claim from a third party. We are not liable for problems with Yealink device arising from the use of this product; we are not liable for financial damages, lost profits, claims from third parties, etc., arising from the use of this product.

### DC symbol

⎓ is the DC voltage symbol.

### Restriction of Hazardous Substances Directive (RoHS)

This device complies with the requirements of the EU RoHS Directive. Statements of compliance can be obtained by contacting support@yealink.com.

### Safety Instructions

Save these instructions. Read these safety instructions before use!

The following basic safety precautions should always be followed to reduce risk of fire, electrical shock, and other personal injury.

#### ⚠️ General Requirements

- Before you install and use the device, read the safety instructions carefully and observe the situation during operation.
- During the process of storage, transportation, and operation, please always keep the device dry and clean.
- During the process of storage, transportation, and operation, please avoid collision and crash of the device.
- Please attempt not to dismantle the device by yourself. In case of any discrepancy, please contact the appointed maintenance center for repair.
- Without prior written consent, no organization or individual is permitted to make any change to the structure or the safety design of the device. Yealink is under no circumstance liable to consequences or legal issues caused by such changes.
- Please refer to the relevant laws and statutes while using the device. Legal rights of others should be respected as well.

#### ⚠️ Environmental Requirements

- Place the device at a well-ventilated place. Do not expose the device under direct sunlight.
- Keep the device dry and free of dusts.
- Place the device on a stable and level platform.
- Please place no heavy objects on the device in case of damage and deformation caused by the heavy load.
- Keep at least 10 cm between the device and the closest object for heat dissipation.
- Do not place the device on or near any inflammable or fire-vulnerable object, such as rubber-made materials.
- Keep the device away from any heat source or bare fire, such as a candle or an electric heater.
- Keep the device away from any household appliance with strong magnetic field or electromagnetic field, such as a microwave oven or a refrigerator.

#### ⚠️ Operating Requirements

- Do not let a child operate the device without guidance.
- Do not let a child play with the device or any accessory in case of accidental swallowing.
- Please use the accessories provided or authorized by the manufacturer only.
- The power supply of the device shall meet the requirements of the input voltage of the device. Please use the provided surge protection power socket only.
- Before plugging or unplugging any cable, make sure that your hands are completely dry.
- Do not spill liquid of any kind on the product or use the equipment near water, for example, near a bathtub, washbowl, kitchen sink, wet basement or near a swimming pool.

## About Yealink

Yealink (Stock Code: 300628) is a global brand that specializes in video conferencing, voice communications and collaboration solutions with best-in-class quality, innovative technology and user-friendly experience. As one of the best providers in more than 140 countries and regions, Yealink ranks No.1 in the global market share of SIP phone shipments (Global IP Desktop Phone Growth Excellence Leadership Award Report, Frost & Sullivan, 2019).

## Technical Support

Visit Yealink Wiki (<http://support.yealink.com/>) for the latest firmware, guides, FAQ, Product documents, and more. For better service, we sincerely recommend you to use Yealink Ticketing system (<https://ticket.yealink.com>) to submit all your technical issues.

- Do not tread on, pull, or over-bend any cable in case of malfunction of the device.
- During a thunderstorm, stop using the device and disconnect it from the power supply. Unplug the power plug and the Asymmetric Digital Subscriber Line (ADSL) twisted pair (the radio frequency cable) to avoid lightning strike.
- If the device is left unused for a rather long time, disconnect it from the power supply and unplug the power plug.
- When there is smoke emitted from the device, or some abnormal noise or smell, disconnect the device from the power supply, and unplug the power plug immediately. Contact the specified maintenance center for repair.
- Do not insert any object into equipment slots that is not part of the product or auxiliary product.
- Before connecting a cable, connect the grounding cable of the device first. Do not disconnect the grounding cable until you disconnect all other cables.

#### ⚠️ Cleaning Requirements

- Before cleaning the device, stop using it and disconnect it from the power supply.
- Use a piece of soft, dry and anti-static cloth to clean the device.
- Keep the power plug clean and dry. Using a dirty or wet power plug may lead to electric shock or other perils.

#### ⚠️ ENVIRONMENTAL RECYCLING

##### Never dispose of the device with domestic waste

Ask your Town Council about how to dispose of it in an environmentally friendly way. The cardboard box, plastic packaging and player components may be recycled in accordance with prevailing recycling regulations in your country.



##### Always adhere to prevailing regulations

Those who fail to do so may be fined or prosecuted in accordance with the law. The crossed out garbage can that appears on the device means that when it has reached the end of its useful life, it should be taken to a special waste disposal center and treated separately to general urban waste.

## Troubleshooting

The unit cannot supply power to Yealink device.

There is a bad connection with the plug.

1. Clean the plug with a dry cloth.
2. Connect it to another wall outlet.

The usage environment is out of operating temperature range.

1. Use in the operating temperature range.

The cable between the unit and the Yealink device is connected incorrectly.

1. Connect the cable correctly.
- You cannot connect the cable properly.

1. You may have connected a wrong Yealink device.

2. Use the correct power supply.

Some dust, etc., may be in the port.

1. Clean the port.

Contact your dealer or authorized service facility for any further questions.

## Contact Information

YEALINK NETWORK TECHNOLOGY CO.,LTD.

309, 3rd Floor, No.16, Yun Ding North Road, Huli District, Xiamen City, Fujian, P.R.C

YEALINK (EUROPE) NETWORK TECHNOLOGY B.V.

Strawinskylaan 3127, Atrium Building, 8th floor, 1077ZX Amsterdam, The Netherlands

YEALINK (USA) NETWORK TECHNOLOGY CO., LTD.

999 Peachtree Street Suite 2300, Fulton, Atlanta, GA, 30309, USA

Made in China



YEALINK(XIAMEN) NETWORK TECHNOLOGY CO.,LTD.

Web: [www.yealink.com](http://www.yealink.com)

Copyright©2021 YEALINK(XIAMEN) NETWORK TECHNOLOGY CO.,LTD.All rights reserved.

**Ausführungshinweise für die Produkte von Yealink mit Akku**

**Betriebsumgebungstemperaturen**

- Betriebstemperatur: 0 bis 40 °C
- Relative Luftfeuchtigkeit: 5 % bis 90 %, nicht kondensierend
- Lagertemperatur: -30 bis +70 °C

**Garantie**

Unsere Produktgarantie ist auf das Gerät selbst beschränkt, wenn es normal und gemäß den Betriebsanweisungen und der Systemumgebung verwendet wird. Wir sind weder für Schäden oder Verluste haftbar, die aus der Verwendung dieses Produkts entstehen, noch für Ansprüche eines Dritten. Wir sind nicht haftbar für Probleme mit dem Yealink Gerät, die aus der Verwendung dieses Produkts entstehen. Wir sind nicht haftbar für finanzielle Schäden, Gewinnverluste, Ansprüche Dritter etc., die aufgrund der Verwendung dieses Produkts entstehen.

• Symbol DC

--- ist das Symbol für DC-Spannung.

Richtlinie zur Beschränkung der Verwendung bestimmter gefährlicher Stoffe in Elektro- und Elektronikgeräten (RoHS)

Das Gerät erfüllt die Anforderungen der RoHS-Richtlinie der EU. Für Bestätigungen der Einhaltung können Sie sich an support@yealink.com wenden.

**Sicherheitshinweise**

Bewahren Sie diese Anweisungen auf. Lesen Sie diese Sicherheitshinweise vor der Verwendung des Gerätes!

Lesen Sie die folgenden Sicherheitsinformationen aufmerksam durch, bevor Sie Ihr Produkt verwenden, um die Brandgefahr, die Gefahr einer schweren Verletzung oder die Gefahr eines Sachschadens zu mindern.

**Umweltanforderungen**

- Stellen Sie das Produkt auf einer stabilen, ebenen und rutschsicheren Oberfläche auf.
- Stellen Sie das Gerät nicht in der Nähe von Wärmequellen, in direktem Sonnenlicht oder in der Nähe von Haushaltsgeräten mit einem starken magnetischen oder elektro magnetischen Feld wie zum Beispiel ein Mikrowellenherd oder ein Kühlschrank auf.
- Achten Sie darauf, dass das Produkt nicht in Kontakt mit Wasser, Staub oder Chemikalien gerät.
- Schützen Sie das Produkt vor aggressiven Flüssigkeiten und Dämpfen.
- Stellen Sie das Gerät nicht in der Nähe von entflammaren oder brandgefährdeten Objekten wie Gummimaterialien auf.
- Stellen Sie das Gerät nicht in Räumen mit hoher Luftfeuchtigkeit wie zum Beispiel Badezimmer, Waschküchen und feuchten Kellern auf.

**ASicherheitshinweise für den Betrieb**

- Verwenden Sie nur von Yealink gelieferte oder zugelassene Ersatz- oder Zubehörteile. Die ordnungsgemäße Funktion von nicht zugelassenen Teilen kann nicht garantiert werden.
- Legen Sie keine schweren Objekte auf das Mobilteil oder die Basisstation, da die Geräte hierdurch beschädigt werden können.
- Öffnen Sie nicht selbst das Mobilteil oder die Basisstation, um sie zu reparieren, da Sie sich hierbei hohen Spannungen aussetzen können. Lassen Sie alle Reparaturen von autorisiertem Wartungspersonal durchführen.
- Lassen Sie Kinder das Produkt nicht ohne Anleitung bedienen.
- Achten Sie darauf, dass sich kleine Zubehörteile Ihres Produkts nicht in Reichweite kleiner Kinder befinden, da diese sie versehentlich verschlucken können.
- Achten Sie vor dem Anschließen oder Abziehen des Kabels darauf, dass Ihre Hände vollständig trocken sind.
- Halten Sie das Mobilteil nicht an Ihr Ohr, wenn die Freisprechfunktion aktiv ist oder das Telefon klingelt, da die Lautstärke sehr hoch sein und Ihr Gehör schädigen kann.
- Stellen Sie bei einem Gewitter die Nutzung des Produkts ein und trennen Sie es vom Stromnetz, um die Gefahr eines Blitzschlags zu verhindern.
- Wenn sie das Produkt längere Zeit nicht verwenden, trennen Sie die Basisstation von der Stromversorgung und trennen Sie das Netzteil vom Stromnetz.
- Wenn Rauch vom Gerät ausgeht oder es unnormale Geräusche abgibt oder auffällig riecht, trennen Sie das Gerät unverzüglich von der Stromversorgung und trennen Sie das Netzteil vom Stromnetz.
- Ziehen Sie das Netzkabel aus der Steckdose, indem Sie vorsichtig am Netzteil, nicht am Kabel ziehen.

**ASicherheitshinweise zum Akku**

- Tauchen Sie den Akku nicht in Wasser, da er hierdurch kurzgeschlossen und dies chädigt wird.
- Werfen Sie den Akku nicht ins Feuer und setzen Sie ihn nicht extrem hohen Temperaturen aus, da er hierdurch explodieren könnte.
- Schalten Sie das Mobilteil aus, bevor Sie den Akku herausnehmen.
- Verwenden Sie den Akku nicht, um ein anderes Gerät als dieses Mobilteil mit Strom zu versorgen.
- Öffnen oder beschädigen Sie den Akku nicht, da austretendes Elektrolyt ätzend wirkt und Ihre Augen oder Ihre Haut schädigen kann.
- Verwenden Sie nur mit dem Mobilteil ausgelieferte oder ausdrücklicher von Yealink empfohlene Akkus.
- Defekte oder leere Akkus und Batterien dürfen nicht mit dem Hausmüll entsorgt werden.

Geben Sie alte Batterien an den Fachhändler, einen lizenzierten Batteriehandler oder an eine ausgewiesene Sammelstelle zurück.

**AReinigungshinweise**

- Vor dem Reinigen der Basisstation stellen Sie deren Verwendung ein und trennen Sie sie von der Stromversorgung.
- Nehmen Sie vor dem Reinigen des Mobilteils den Akku heraus, um die Gefahr eines Stromschlags zu mindern.
- Reinigen Sie Ihr Produkt lediglich mit einem leicht angefeuchteten antistatischen Tuch.
- Halten Sie das Netzkabel sauber und trocken. Über einen schmutzigen oder nassen Netzstecker kann es zu einem elektrischen Schlag oder anderen Gefahren kommen.

**UmwELTFREUNDLICHE VERWERTUNG**

Entsorgen Sie das Gerät nicht mit dem Hausmüll. Erkundigen Sie sich bei Ihrer Stadtverwaltung, wie Sie das Gerät umweltfreundlich entsorgen können. Pappkarton, Kunststoffverpackung und Bauteile des Gerätes können im Einklang mit den geltenden Vorschriften in Ihrem Land verwertet werden. Halten Sie stets die geltenden Vorschriften ein.

Deren Nichtbeachtung kann eine Buße oder Verfolgung gemäß dem geltenden Recht nach sich ziehen.

Die durchgeschriebene Nutzungsdauer auf dem Gerät bedeutet, dass das Gerät an Ende seiner Nutzungsdauer zu einer speziellen Elektroschrottsammelstelle gebracht und vom Hausmüll gesondert verarbeitet werden muss.

Akkus: Vergewissern Sie sich, dass der Akku korrekt eingesetzt wurde. Dieses Telefon wird nur mit wiederaufladbaren Batterien betrieben.

Gesetzlich vorgeschriebene Informationen gemäß den Vorschriften für batteriebetriebene Geräte. Achtung: Es besteht Explosionsgefahr, wenn der Akku gegen einen falschen Akku ausgetauscht wird.

Entsorgen Sie Batterien gemäß der Anleitung.

**Fehlerbehebung**

- Die Einheit kann das Yealink Gerät nicht mit Strom versorgen.
- Es gibt Probleme mit dem Steckeranschluss.
  1. Reinigen Sie den Stecker mit einem trockenen Tuch.
  2. Schließen Sie ihn an einer anderen Steckdose an.
- Die Umgebungstemperatur liegt oberhalb des Betriebstemperaturbereichs.
  1. Verwenden Sie die Einheit innerhalb des Betriebstemperaturbereichs.
  - Das Kabel zwischen der Einheit und dem Yealink Gerät ist nicht richtig angeschlossen.
    1. Schließen Sie das Kabel richtig an.
    2. Das Kabel lässt sich nicht richtig anschließen.
  1. Sie haben möglicherweise ein falsches Yealink Gerät angeschlossen.
  2. Verwenden Sie die richtige Stromversorgung.
- Es befindet sich möglicherweise Staub etc. im Port.
  1. Reinigen Sie den Port.
- Setzen Sie sich bei weiteren Fragen mit Ihrem Händler oder Ihrer anerkannten Servicestelle in Verbindung.
 

Kontaktdaten des Ansprechpartners  
 YEALINK NETWORK TECHNOLOGY CO., LTD.  
 309, 3rd Floor, No. 16, Yun Ding North Road, Huli District, Xiamen City, Fujian, VR China  
 YEALINK (EUROPE) NETWORK TECHNOLOGY B.V.  
 Strawinskylaan 3127, Atrium Building, 8th floor, 1077XZ Amsterdam, Niederlande  
 YEALINK (USA) NETWORK TECHNOLOGY CO., LTD.  
 999 Peachtree Street Suite 2300, Fulton, Atlanta, GA, 30309, USA  
 Hergestellt in China

**Über Yealink**

Yealink (Börsenkürzel: 300628) ist eine globale Marke, die sich auf Videokonferenzen sowie Sprachkommunikations- und Kollaborationslösungen spezialisiert. Diese zeichnen sich durch höchste Qualität, innovative Technologie und benutzerfreundliche aus. Als einer der besten Anbieter in mehr als 140 Ländern und Regionen, hat Yealink den größten Weltmarktanteil an SIP-Telefonlieferungen (Global IP Desktop Phone Growth Excellence Leadership Award Report, Frost & Sullivan, 2019).


**Technischer Support**

Bitte besuchen Sie für Firmware-Downloads, Produktdokumentationen, Problemlösungen u. v. m. das Yealink-WIKI (<http://support.yealink.com/>). Damit Sie den bestmöglichen Service von uns erhalten können, empfehlen wir Ihnen, all Ihre technischen Probleme über unser Ticketsystem (<https://ticket.yealink.com/>) an uns heranzutragen.



YEALINK(XIAMEN) NETWORK TECHNOLOGY CO.,LTD.  
 Web: [www.yealink.com](http://www.yealink.com)  
 Adresse: 309, 3rd Floor, No.16, Yun Ding North Road, Huli District, Xiamen City, Fujian, P.R.C  
 Copyright©2021 YEALINK(XIAMEN) NETWORK TECHNOLOGY CO.,LTD.All rights reserved.

**Avis réglementaires pour les produits Yealink avec batterie**

- Températures de fonctionnement ambiantes
- Température de fonctionnement : +32 à 104 °F (0 à 40 °C)
- Humidité relative : 5 % à 90 %, sans condensation
- Température de stockage : -22 à +160 °F (-30 à +70 °C)
- Garantie
- Notre garantie produit est limitée à l'appareil lui-même, lorsqu'il est utilisé normalement selon le mode d'emploi et l'environnement du système. Nous ne sommes pas responsables des dommages ou pertes découlant de l'utilisation de ce produit ou de toute réclamation d'un tiers. Nous ne sommes pas responsables des problèmes avec les appareils Yealink découlant de l'utilisation de ce produit. Nous ne sommes pas responsables pour les dommages financiers, pertes de profits, réclamations de tiers, etc. découlant de l'utilisation de ce produit.
- Symbole DC
-  est le symbole de tension CC.
- Directive sur les substances dangereuses (RoHS)
- Ce dispositif est conforme aux exigences de la directive RoHS de l'Union européenne. Vous pouvez obtenir les déclarations de conformité en envoyant un message à l'adresse : support@yealink.com.
- Consignes de sécurité
- Gardez ces instructions. Lisez ces consignes de sécurité avant utilisation de l'appareil !
- Afin de réduire le risque d'incendie, de blessures graves et de dommages matériels, lisez les consignes de sécurité suivantes soigneusement avant d'utiliser le produit.

**Exigences environnementales**

- Placez le produit sur une surface stable, plate et antidérapante.
- Ne placez pas le produit près d'une source de chaleur, sous la lumière directe du soleil ou près de tout appareil électroménager produisant un champ magnétique ou électro magnétique puissant, tel qu'un micro-onde ou un réfrigérateur.
- Veillez à ce que le produit n'entre pas en contact avec de l'eau, de la poussière ou des produits chimiques.
- Protégez le produit des liquides et vapeurs agressives.
- Ne placez pas l'appareil sur ou à proximité de tout objet inflammable ou vulnérable au feu, comme des matériaux en caoutchouc.
- N'installez pas le produit dans une pièce trop humide, comme une salle de bain, une lingerie ou une cave humide.

**Consignes d'utilisation**

- Utilisez uniquement les pièces de rechange et les accessoires fournis ou autorisés par Yealink. Le bon fonctionnement de pièces non autorisées ne peut être garanti.
- Ne placez pas d'objets lourds sur le combiné ou la station de base, au risque de les endommager et de les déformer.
- N'ouvrez pas le combiné ou la station de base vous-même pour les réparer, vous risquez de vous exposer à de hautes tensions. Faites effectuer toutes les réparations par un technicien d'entretien agréé.
- Ne laissez pas un enfant utiliser le produit sans surveillance.
- Les petits accessoires contenus dans votre produit sont à tenir à l'écart des enfants qui pourraient les avaler accidentellement.
- Avant de brancher ou de débrancher tout câble, assurez-vous que vos mains sont complètement sèches.
- Ne tenez pas le combiné contre votre oreille lorsque le haut-parleur est activé ou que le téléphone sonne, car le volume risque d'être très élevé et d'endommager votre ouïe.
- En cas d'orage, n'utilisez pas le produit et débranchez-le de son alimentation pour le protéger de la foudre.
- Si le produit doit rester inutilisé pendant une longue période, débranchez la station de base de son alimentation et débranchez l'adaptateur d'alimentation.
- Si le produit émet de la fumée, des odeurs ou des bruits anormaux, débranchez le produit de son alimentation et débranchez immédiatement l'adaptateur d'alimentation.
- Pour débrancher le cordon d'alimentation, tirez délicatement sur l'adaptateur, et non sur le cordon lui-même.

**Précautions relatives à la batterie**

- N'immergez pas la batterie dans l'eau, vous risqueriez de la court-circuiter et de l'endommager.
- N'exposez pas la batterie à une flamme nue et ne la laissez pas à un endroit où elle pourrait être soumise à des températures extrêmement élevées, qui risqueraient d'en entraîner son explosion.
- Éteignez le combiné avant de retirer la batterie.
- N'essayez pas d'utiliser la batterie pour alimenter tout autre appareil que ce combiné.
- N'essayez pas d'ouvrir ou d'abîmer la batterie, les électrolytes qu'elle contient sont corrosifs et risquent de causer des lésions aux yeux ou sur la peau.
- Utilisez uniquement l'accumulateur rechargeable fourni avec le combiné ou un accumulateur expressément recommandé par Yealink.
- Les batteries défectueuses ou épuisées ne doivent jamais être traitées comme des déchets ménagers. Remoyez les batteries usagées à leur fournisseur, à un vendeur de batteries agréé ou à un point de collecte désigné.

**À propos de nous**

Yealink (Code mnémorique : 300628) est un fournisseur global de solutions de conférence vidéo, de communication et de collaboration, avec la meilleure qualité du secteur, des technologies innovantes et une expérience convalidée. Étant l'un des principaux fournisseurs dans plus de 140 pays et régions, Yealink est le n° 1 en parts de marché à l'échelle mondiale pour les livraisons de téléphones SIP (d'après le rapport Global IP Desktop Phone Growth Excellence Leadership Award, Frost & Sullivan, 2019).

**Assistance technique**

Consultez Yealink WIKI (<http://support.yealink.com/>) pour télécharger les derniers micrologiciels, lire la documentation, les questions fréquemment posées, et plus encore. Pour un meilleur service, nous vous conseillons d'utiliser le système de tickets d'assistance de Yealink (<http://ticket.yealink.com>) pour nous faire part de tous vos problèmes techniques.

**Conseils de nettoyage**

- Avant de nettoyer la station de base, éteignez-la et débranchez son cordon d'alimentation.
- Retirez la batterie avant de nettoyer le combiné afin de réduire le risque d'électrocution.
- Nettoyez uniquement votre produit à l'aide d'un chiffon antistatique légèrement humidifié.
- Maintenez la prise d'alimentation propre et sèche. Une prise sale ou humide peut causer des chocs électriques et autres dangers.

**RECYCLAGE ENVIRONNEMENTAL**

Ne jetez pas cet appareil avec les déchets ménagers. Contactez vos collectivités locales pour savoir comment l'éliminer de façon écologique. La boîte en carton, l'emballage en plastique et les composants de l'appareil peuvent être recyclés conformément à la réglementation en vigueur dans votre pays.

Respectez toujours la réglementation en vigueur. Les personnes qui l'entretiennent sont passibles de poursuites judiciaires. Le symbole de poubelle barrée apposé sur l'appareil signifie que lorsque celui-ci a atteint

sa fin de vie utile, il doit être amené à un centre de traitement des déchets spécial et traité séparément des déchets ménagers ordinaires. Batteries : Assurez-vous que la batterie est installée dans la bonne position. Ce téléphone utilise uniquement des batteries rechargeables. Informations obligatoires conformément à la réglementation sur les dispositifs à batterie. Avertissement : Risque d'explosion si la batterie est remplacée par une batterie du mauvais type. Éliminez les batteries conformément aux instructions.

Dépannage  
L'unité ne peut pas alimenter le dispositif de Yealink.  
Mauvaise connexion avec la fiche.

1. Nettoyez la fiche avec un chiffon sec.
  2. Branchez-la sur une autre prise murale.
- L'environnement d'utilisation est hors de la plage de températures de fonctionnement.

1. Utilisez l'appareil dans sa plage de températures de fonctionnement. Le câble entre l'appareil et le dispositif Yealink est mal branché.
1. Branchez le câble correctement.

Vous ne pouvez pas brancher le câble correctement.

1. Vous avez peut-être branché le mauvais dispositif Yealink.

2. Utilisez une source d'alimentation appropriée.

Le port contient peut être de la poussière.

1. Nettoyez le port.

Contactez votre revendeur ou un réparateur agréé pour toute autre question.

Informations de contact

YEALINK NETWORK TECHNOLOGY CO.,LTD.  
309, 3rd Floor, No.16, Yun Ding North Road, Huli District, Xiamen City, Fujian, Chine  
YEALINK (EUROPE) NETWORK TECHNOLOGY B.V.  
Strawinskylaan 3127, Atrium Building, 8th floor, 1077ZX Amsterdam, Pays-Bas  
YEALINK (USA) NETWORK TECHNOLOGY CO.,LTD.  
999 Peachtree Street Suite 2300, Fulton, Atlanta, GA, 30309, États-Unis  
Fabriqué en Chine



YEALINK(XIAMEN) NETWORK TECHNOLOGY CO.,LTD.

Site Web: [www.yealink.com](http://www.yealink.com)

Adresse: 309, 3rd Floor, No.16, Yun Ding North Road, Huli District, Xiamen City, Fujian, P.R.C

Copyright©2021 YEALINK(XIAMEN) NETWORK

TECHNOLOGY CO.,LTD.All rights reserved.

**Instrucciones de seguridad****Temperatura ambiente de funcionamiento**

- Temperatura de funcionamiento: +32 to 104°F (0 to 40°C)
- Humedad relativa: 5% to 90%, sin condensación
- Temperatura de almacenaje: -22 to +160°F (-30 to +70°C)

**Garantía**

La garantía del producto está limitada solo a la unidad, cuando se usa normalmente de acuerdo con las instrucciones de operación y el entorno del sistema. No somos responsables por daños o pérdidas resultantes del uso de este producto, o por cualquier reclamo de un tercero. No nos hacemos responsables de los problemas con el dispositivo Yealink que surjan del uso de este producto; No nos hacemos responsables de los daños financieros, pérdidas de beneficios, reclamaciones de terceros, etc., que surjan del uso de este producto.

**Explanation of the symbols**

• Símbolo CC

--- Es el símbolo de voltaje de CC.

Directiva de Restricción de Sustancias Peligrosas (RoHS)

Este dispositivo cumple con los requisitos de la directiva RoHS de la UE. Las declaraciones de cumplimiento se pueden obtener contactando a support@yealink.com.

**Instrucciones de seguridad**

Conserve estas instrucciones. ¡Lea estas instrucciones de seguridad antes de usar el dispositivo!

Lea detenidamente las siguientes instrucciones de seguridad antes de usar el producto para reducir el riesgo de incendio, lesiones personales y daños materiales.

**⚠ Requisitos ambientales**

- Coloque el producto sobre una superficie estable, nivelada y antideslizante.
- No coloque el producto cerca de fuentes de calor, bajo la luz del sol directa ni cerca de aparatos domésticos con campos magnéticos o electromagnéticos intensos, como hornos microondas o neveras.
- No permita que el producto entre en contacto con agua, polvo ni agentes químicos.
- Proteja el producto de líquidos o vapores agresivos.
- No coloque el dispositivo encima o cerca de objetos inflamables o vulnerables al fuego, como materiales hechos de goma.
- No instale el producto en habitaciones con humedad elevada, como cuartos de baño, salas de lavandería o sótanos húmedos.

**⚠ Notas de seguridad durante el funcionamiento**

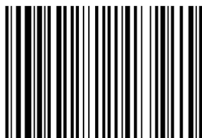
- Utilice solo piezas de repuesto y accesorios suministrados o autorizados por Yealink.
- No se puede garantizar el funcionamiento de piezas no autorizadas.
- No coloque objetos pesados sobre el teléfono ni la estación base para evitar daños o deformaciones causados por el peso.
- No abra usted mismo el teléfono ni la estación base para repararlos, ya que podría verse expuesto a tensiones elevadas. Solicite que todas las reparaciones las realice personal de mantenimiento autorizado.
- No permita que los niños utilicen el dispositivo sin supervisión.
- Mantenga todos los accesorios pequeños contenidos en el producto fuera del alcance de los niños pequeños para evitar asfixia accidental.
- Asegúrese de tener las manos completamente secas antes de enchufar o desenchufar los cables.
- No se acerque el teléfono a la oreja cuando el altavoz esté activado o cuando suene el timbre ya que el volumen puede estar muy alto, lo que podría resultar perjudicial para el oído.
- Durante las tormentas, deje de utilizar el producto y desconéctelo de la alimentación eléctrica para evitar el impacto de rayos.
- Si deja el dispositivo sin usar durante mucho tiempo, desconecte la estación base de la alimentación eléctrica y desenchufe la clavija eléctrica.
- Si sale humo del dispositivo o ruidos u olores anormales, desconecte el dispositivo de la alimentación eléctrica y desenchufe la clavija eléctrica inmediatamente.
- Retire el cable eléctrico de la toma estrinando suavemente del alimentador, no del cable.

**Acerca de Yealink**

Yealink (código de stock: 300628) es una marca global que se especializa en videoconferencias, comunicaciones de voz y soluciones de colaboración con la mejor calidad de su clase, tecnología innovadora y experiencia de uso amigable. Como uno de los mejores proveedores en más de 140 países y regiones, Yealink ocupa el primer lugar en la cuota de mercado global de envíos de teléfonos SIP (Premio al liderazgo por excelencia en el crecimiento de teléfonos de escritorio IP, Frost & Sullivan, 2019).

**Asistencia técnica**

Visite el Wiki de Yealink (<http://support.yealink.com/>) para la descarga de firmware, documentación de productos, preguntas frecuentes, etc. Para beneficiarse de un mejor servicio, le recomendamos que use el sistema de tickets (<http://ticket.yealink.com>) a fin de hacernos llegar cualquier problema técnico que se le presente.



430104001568

**⚠ Consejos de limpieza**

- Antes de limpiar la estación base, deje de usarla y desconéctela de la alimentación eléctrica.
- Retire la batería antes de limpiar el teléfono para reducir el riesgo de descargas eléctricas.
- Limpie el producto únicamente con un trapo ligeramente húmedo y antiestático.
- Mantenga el enchufe eléctrico limpio y seco. Si usa un enchufe eléctrico sucio o húmedo podría provocar una descarga eléctrica y otros peligros.

**⚠ RECIICLEJE AMBIENTAL**

Nunca elimine el equipo con los residuos domésticos

Pregunte en su ayuntamiento cómo eliminarlo de forma respetuosa con el medio ambiente. Se debe reciclar la caja de

cartón, el embalaje de plástico y los componentes en conformidad con la normativa de reciclaje vigente en su país. Respete siempre la normativa vigente

En caso de incumplirla, podría ser multado o procesado en cumplimiento de la ley.

El cubo de basura tachado que aparece en el producto indica que debe llevarse a un centro de eliminación de residuos especiales y debe tratarse por separado de los residuos urbanos al final de su vida útil.

**Problemas y soluciones**

La fuente de alimentación no alimenta al dispositivo de Yealink Hay una mala conexión con el enchufe.

1. Limpie el enchufe con un trapo seco.
2. Conecte a una toma de pared diferente.

La temperatura del entorno está fuera del rango de temperatura de funcionamiento.

1. Asegúrese de que la temperatura del entorno está dentro de los límites permitidos.

El cable entre la unidad y el dispositivo de Yealink no está conectado correctamente.

1. Conecte el cable correctamente.
- El cable no se puede conectar correctamente.
1. Es posible que haya conectado un dispositivo incorrecto.
2. Utilice la fuente de alimentación correcta.

El puerto está sucio.

1. Limpie el puerto
- Póngase en contacto con su distribuidor o centro de atención autorizado para cualquier consulta.

**Información de Contacto**

YEALINK NETWORK TECHNOLOGY CO.,LTD.  
309, 3rd Floor, No.16, Yun Ding North Road, Huli District, Xiamen City, Fujian, P.R.C  
YEALINK (EUROPE) NETWORK TECHNOLOGY B.V.  
Strawinskylaan 3127, Atrium Building, 8th floor, 1077ZX Amsterdam, The Netherlands  
YEALINK (USA) NETWORK TECHNOLOGY CO., LTD.  
999 Peachtree Street Suite 2300, Fulton, Atlanta, GA, 30309, USA  
Made in China



YEALINK(XIAMEN) NETWORK TECHNOLOGY CO.,LTD.  
CO.,LTD. Página web: [www.yealink.com](http://www.yealink.com)  
Dirección: 309, 3rd Floor, No.16, Yun Ding North Road, Huli District, Xiamen City, Fujian, P.R.C  
Copyright©2021 YEALINK(XIAMEN) NETWORK TECHNOLOGY CO.,LTD.All rights reserved.